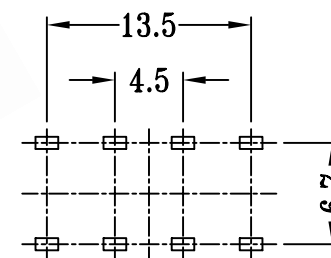
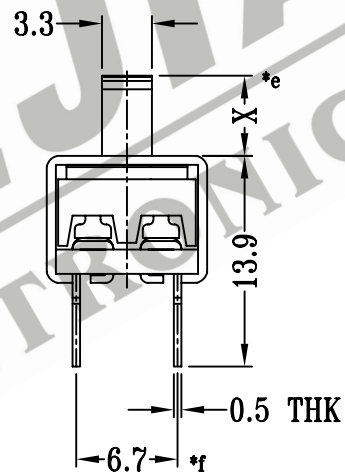
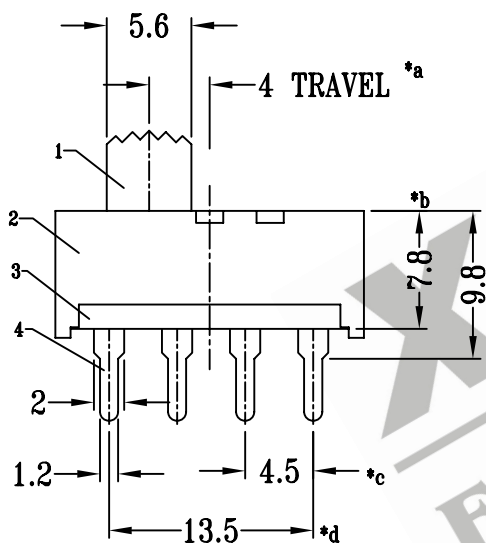
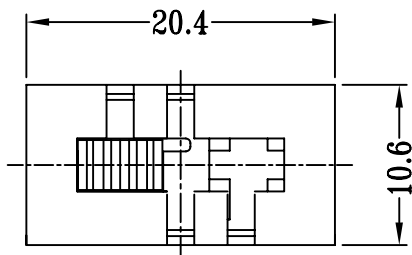


CAD FILE:



**SCHMATIC (NON-SHORTING)**

**P.C.B LAYOUT**

注:带"\*"表示关键尺寸(6个)

NO.	PARTS	MATERIALS	Q'TY	FINISH	TOLERANCE UNLESS SPECIFIED	SHENZHEN XIEJIA ELECTRONICS CO.,LTD.					
8											
7											
6	SPRING PLATE	PBS STRIP	3	NATURAL	WITHIN: 1.5±0.1mm OVER : 1.5±0.2mm	ISSUE	DATE	DESCRIPTIONS OF REVISION		APPD.	
5	CONTACT CLIP	COPPER STRIP	2	Ag PLATED							
4	TERMINAL	COPPER STRIP	8	Ag PLATED OVER Ni PLATED		TITLE : VERTICAL SLIDE SWITCH		UNIT : mm	DRWG NO.: XJ-DR-SS23H50-00		
3	BASE	PHENOLIC RESIN	1	BLACK		MODEL: SS-23H50		SCALE: 2 : 1	DWN.	ZHOUYU	2004-11-21
2	FRAME	STEEL STRIP	1	Zn PLATED					CHK'D	FANGYING	2004-11-21
1	KNOB	PC	1	BLACK					APPD.	KANGXINAN	2004-11-21
					ALL MATERIALS MUST BE COMPLIANT TO ROHS						